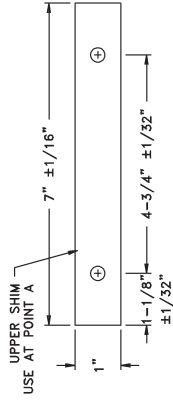


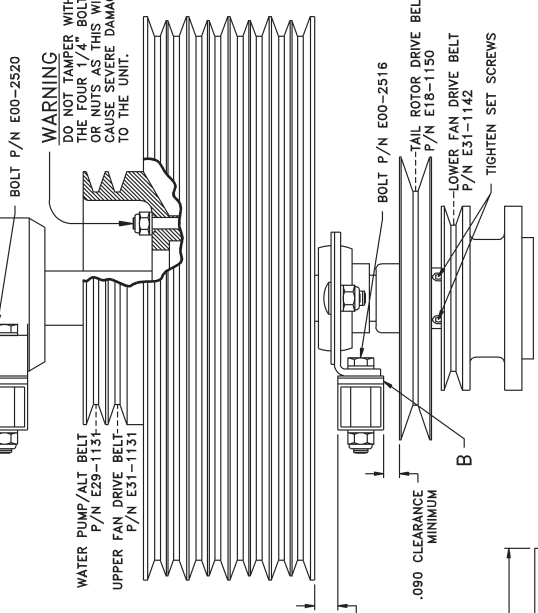
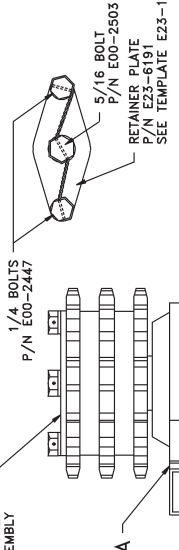
SECONDARY DRIVE INSTALLATION

REFER TO CONSTRUCTION MANUAL FOR INSTALLATION AND REMOVAL OF THE SECONDARY SPROCKET AND LOCKING ASSEMBLY

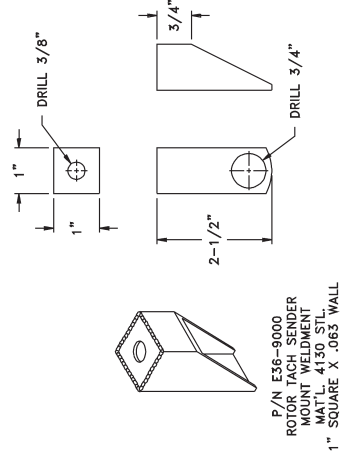


INSERT SHIMS P/N E23-2100 AND E23-3100 AT POINTS A AND B AS REQUIRED TO MAINTAIN THE PARALLELISM OF THE MAIN SHAFT TO THE SCISSOR SHIM TO TENSION THE CHAIN PROPERLY.

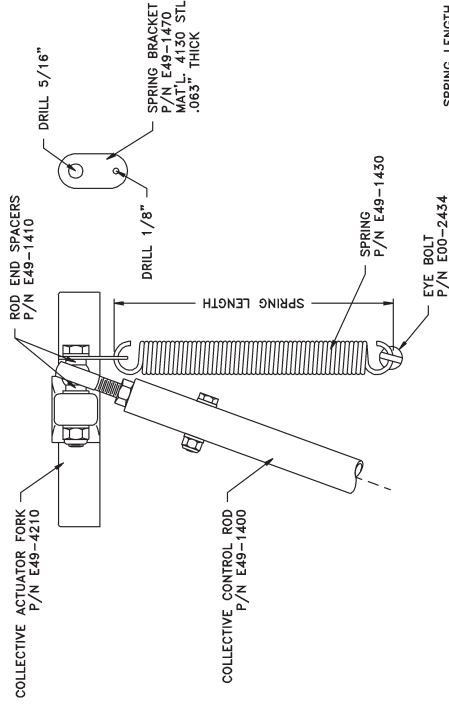
WATER PUMP/ALT BELT P/N E29-1131
UPPER FAN DRIVE BELT P/N E31-1131



ROTOR TACH SENDER MOUNT



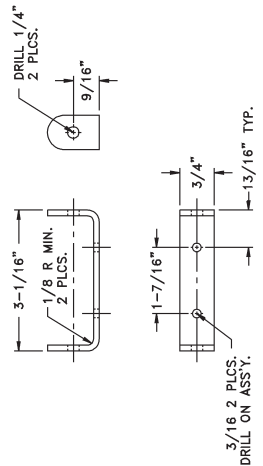
COLLECTIVE CONTROL SPRING ATTACHMENT



SPRING LENGTH	
COLLECTIVE FULL UP	7-1/2"
DOWN	8-3/4"

COLLECTIVE SCISSORS MOUNT

P/N E49-1380
MAT'L 4130 STL
.125" THICK



ROTORWAY INTERNATIONAL	
CHANDLER, ARIZONA	REVISED BY
SCALE: NONE	DATE: 3-11-97
REVISED: 11-20-01	REVISED: 11-20-01
11-20-01 REVISION 3: ADD BELT P/N	1-13-00 REVISION 2: UPPER BRG. HSG.
10-19-98 REVISION 1: NEW FAN PULLEY	REVISED NUMBER: E23-2000-3